

▶ ▶ ▶ DOUBLE ACTING SCAFFOLD HOOKS

PRODUCT INFORMATION

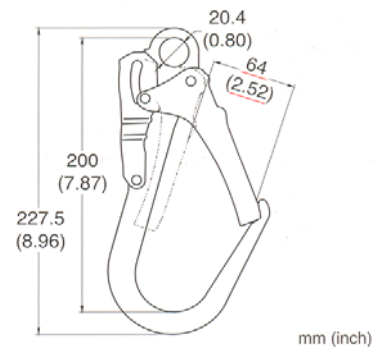
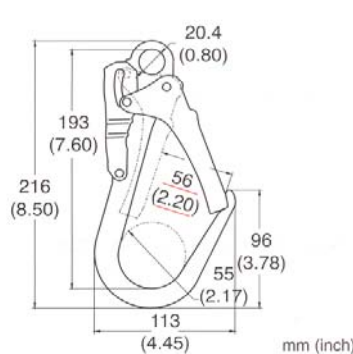
Double acting scaffold hooks are available as part of an energy absorbing lanyard assembly, or separately for addition to a fall arrest device via karabiner. With large openings, these hooks allow workers to attach to wider and more varied anchorage points.

PRODUCT FEATURES

- ⇒ Ultimate tensile strength >15kN
- ⇒ 100% proof loaded to 22.2kN
- ⇒ Made from forged alloy steel
- ⇒ Smooth edges preventing snags.
- ⇒ Easy to operate with one hand.

STANDARDS

Refer to AS/NZS 1891.4 for information on anchorage selection and strength.



TECHNICAL INFORMATION

- ⇒ See above diagram for measurements.

APPLICATIONS

- ⇒ Any work at height application
- ⇒ EWP work
- ⇒ Scaffolding
- ⇒ Tower Work
- ⇒ Construction
- ⇒ Maintenance
- ⇒ Work Positioning & restraint applications

ORDERING & PACKAGING INFORMATION

Part Number	Description	Weight	Cat	Min Order	Package Dimensions L x W x H
M1030004	Scaffold hook 56mm opening	434g	A	1	26 x 8 x 4
M1030003	Scaffold hook 64mm opening	614g	A	1	26 x 8 x 4

WARNING! THIS DOCUMENT PROVIDES AN OVERVIEW OF PERSONAL PROTECTIVE PRODUCTS AVAILABLE FROM SPERIAN PROTECTION AND CARE HAS BEEN TAKEN TO ASSURE THE ACCURACY OF THE DATA. IT DOES NOT PROVIDE IMPORTANT PRODUCT WARNINGS AND INSTRUCTIONS. SPERIAN PROTECTION RECOMMENDS ALL USERS OF ANY PERSONAL PROTECTIVE EQUIPMENT UNDERGO THOROUGH TRAINING, AND THAT ALL WARNINGS AND INSTRUCTIONS PROVIDED WITH THE PRODUCTS BE THOROUGHLY READ AND UNDERSTOOD PRIOR TO EACH USE. FAILURE TO READ AND FOLLOW ALL PRODUCT WARNINGS AND INSTRUCTIONS COULD RESULT IN SERIOUS INJURY.