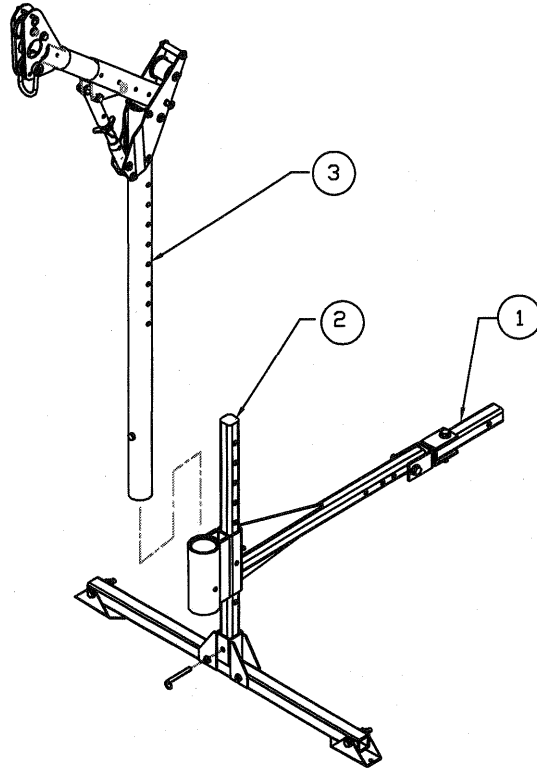


Model DH-14 includes the following



Item	Part no.	Description
1	DH-14	Universal Joint, Hitch Mount Sleeve
accessories shown, but not included		
2	DH-12	Hitch Mount Sleeve
3	DH-3	One Piece Adjustable Mast

DESCRIPTION

The Universal Joint Assembly installs between the standard model DH-12 Hitch Mount Sleeve or hitch mount sleeve extensions and the attendant's vehicle to compensate for uneven ground conditions at the site.

General Specifications:

Working Load	450 lbs. (204 Kgs.)
Design Factor	Dependent on other system components, Minimum 4:1
Weight	8.5 lbs. (3.9 Kgs.)

Materials & Construction:

General Construction	Welded Steel
Weld Certification	CWB-47.1
Finish	Zinc Plated
Hardware	Gr.5 Zinc Plated
Plating Specification	ASTM Designation B-633-85, Type II, SC2

Application Restrictions

1. This device is intended for use with equipment and accessories manufactured and/or approved by MILLER. Accessories are subject to various application restrictions as outlined on the application accessory specification sheets.
2. Only one extension at a time is to be used with a hitch mounting sleeve. Multiple hitch mount sleeve extensions are **NOT** to be used.
3. The standard Hitch Mount Sleeve is to be used with a maximum 30"(762 mm) offset mast.
4. Anchoring to an attendant vehicle may not be permitted within certain jurisdictions. Ensure that use of this equipment does not violate any regulations within your area.
5. The Universal Joint **MUST BE** served directly to vehicle, **NOT** between a Hitch Mount Extension and Hitch Mount Sleeve.
6. Each installation **MUST BE** approved to local standards by a qualified engineer.

