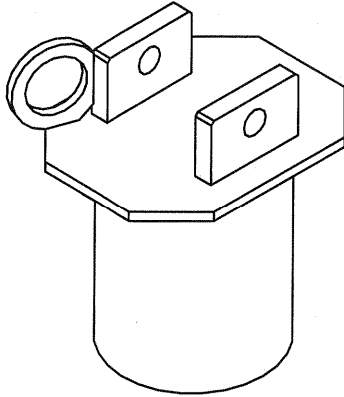




Model DH-AP-6 includes the following

Item	Part no.	Description
1	DH-AP-6	WELD-ON PLATE FOR INCLINED SURFACES w/TIE-OFF ANCHOR



DESCRIPTION

The DH-AP-6 is designed to be permanently welded to existing structures in locations of frequent work, or where use of a portable base is impractical. Compatible with all MILLER DURAHOIST portable fall-arrest masts & accessories. The weld-on plate permanently addresses your fall-arrest anchor point requirements.

General Specifications:

Proof Load Moment	190,000 in/lb (20.84 KN.m)
Anchor Eye Proof Load	5000 lbs (22.2 kN)
Weight	24.0 lbs. (10.9Kgs.)

The Weld-on Plate when installed & used in accordance with the manufactures instructions, is designed to support the loads required by all portable fall-arrest masts and accessories when installed and used in accordance with manufactures instructions.

Materials & Construction:

General Construction	Welded Steel
Weld Certification	CWB-47.1
Material	H.R. Plate, bar & tube
Finish	None

Mounting Requirements

Fall-Arrest Post Model # & Type	Moment Requirement	Vertical Load Requirement
* Model DH-AP-1 Portable Fall-Arrest Anchor Post	190,000 in-lbs (20.8 kN-m)	3100 lbs (13.8 kN)

Application Restrictions

1. The Weld-on Plate is designed for use with all MILLER DURAHOIST portable fall-arrest masts & accessories **ONLY**.
2. Ratings, capacities and design factor may vary with system components & configurations. Consult specification sheets for all system components before using to ensure compliance with requirements.
3. Welding procedure **MUST BE** approved by qualified personnel to be compatible with any and all structural & operational characteristics of the selected installation location.
4. Mounting surface **MUST BE** within 15° of horizontal for Model DH-AP-1 and plate **MUST BE** installed so that the portable fall-arrest mast can be leveled for use.
5. Each installation **MUST BE** approved to local standards by a qualified engineer.

CERTIFICATION



**PORTABLE FALL-ARREST WELD-ON PLATE
INCLINED SURFACES w/TIE-OFF ANCHOR**

MODEL: DH-AP-6

SPECIFICATIONS

PAGE 2 of 2

