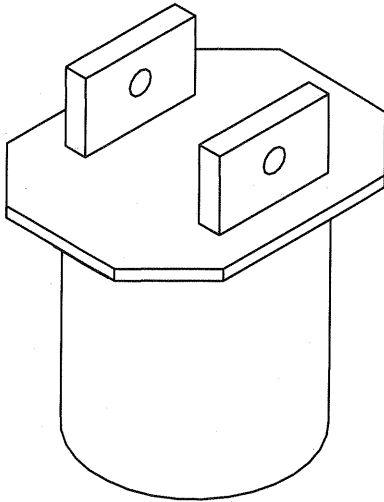




**Model DH-AP-7 includes the following**



Item	Part no.	Description
1	DH-AP-7	PFAS Weld-on Plate for Inclined Surfaces
ACCESSORIES SHOWN IN GREY BUT ARE NOT INCLUDED		
2	DH-AP-1	MILLER DURAHOIST Portable Fall-Arrest System Post

**DESCRIPTION**

The DH-AP-7 Weld-on Plate is designed to be permanently welded to existing structures in locations of frequent work, or where use of a portable base is impractical. Compatible with all MILLER DURAHOIST portable fall-arrest masts & accessories. The weld-on plate permanently addresses your fall-arrest anchor point requirements.

**General Specifications:**

Proof Load Moment 190,000 in/lb (20.84 KN.m)  
Weight 23.4 lbs. (10.6 Kgs.)

*The Weld-on Plate when installed & used in accordance with the manufactures instructions, is designed to support the loads required by all portable fall-arrest masts and accessories when installed and used in accordance with manufactures instructions.*

**Materials & Construction:**

General Construction Welded Steel  
Weld Certification CWB-47.1  
Material H.R. Plate, bar & tube  
Finish None

**Mounting Requirements**

Fall-Arrest Post Model # & Type	Moment Requirement	Vertical Load Requirement
* Model DH-AP-1 Portable Fall-Arrest Anchor Post	190,000 in-lbs (20.8 kN-m)	3100 lbs (13.8 kN)

**Application Restrictions**

1. The Weld-on Plate is designed for use with all MILLER DURAHOIST portable fall-arrest masts & accessories **ONLY**.
2. Ratings, capacities and design factor may vary with system components & configurations. Consult specification sheets for all system components before using to ensure compliance with requirements.
3. Welding procedure **MUST BE** approved by qualified personnel to be compatible with any and all structural & operational characteristics of the selected installation location.
4. Mounting surface **MUST BE** within 15° of horizontal for Model DH-AP-1 and plate **MUST BE** installed so that the portable fall-arrest mast can be leveled for use.
5. Each installation **MUST BE** approved to local standards by a qualified engineer.

**CERTIFICATION**

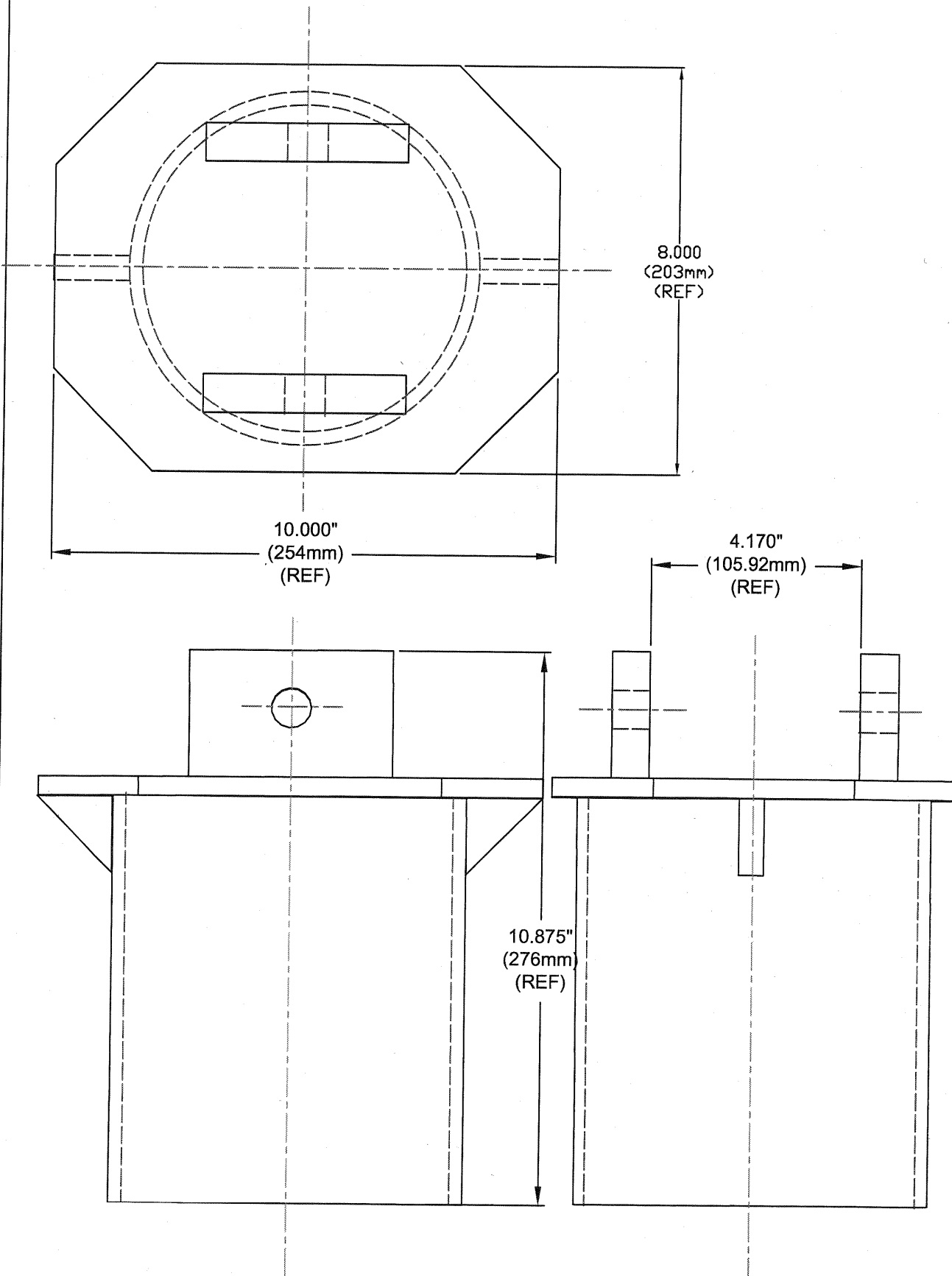


PORTABLE FALL-ARREST WELD-ON PLATE  
UNI-ANCHOR FOR INCLINED SURFACES

SPECIFICATIONS

PAGE 2 of 2

MODEL: DH-AP-7



DALLOZ FALL PROTECTION, 1345 15th Street, Franklin, PA, USA 16323  
Phone: (814) 432-2118 Fax: (814) 437-2973, [www.bacou-dalloz.com](http://www.bacou-dalloz.com)